

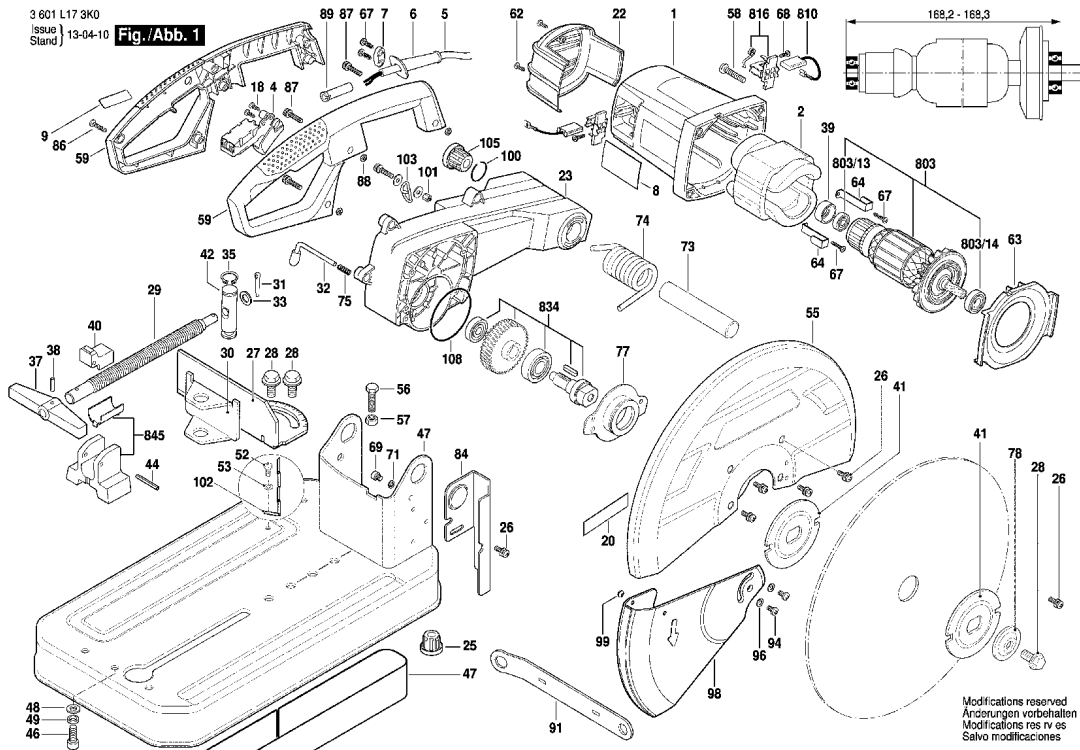


**BOSCH**  
Invented for life

# Spare Parts Price List

GCO 2

0 601 B17 3F0



POS No.	Qty	Part No.	Description	List Price (Rs.)
1	1	1619P03740	Motor Housing .	399
2	1	1609B00129	Field 230-240V .	1523
4	1	1619P03844	On-Off Switch .	362
5	1	1619P03901	Power supply cord .	248
6	1	1619P03807	Grommet .	34
7	1	1619P03808	Cable Clip .	21
8	1	1609B03561	Nameplate .	
9	1	1609B03545	Bosch Label GCO 2 .	61
18	1	1619P03837	Raised ctsunk head t.	21
20	1	1609B00006	Warning Plate .	
22	1	1609B03530	End cap .	104
23	1	1609B03501	Arm .	2117
24	1	1609B00653	Screw .	25
25	4	1609B03502	Supporting foot .	61
26	5	1619P03825	Screw and washer as	21
27	1	1609B03532	Stop Bracket .	191
28	3	1619P03826	Flange Bolt DIN 6921	34
29	1	1609B03522	Clamp Screw .	191
30	1	1609B03520	Clamp Bracket .	170
31	1	1619P03756	Rivet Pin DIN 94-4x2	21
32	1	1609B03515	Locking Pin .	26
33	1	1619P03757	Plain Washer DIN 43	21
35	1	1619P03755	Spring retaining ring [	21
37	1	1609B03523	Clamp Handle .	121
38	1	1619P03752	Spring Pin ISO 1337	21
39	1	1600206030	Rubber Ring .	35
40	1	1609B03576	Clamping Block .	247
41	2	1609B03518	Flange .	201
42	1	1609B03526	Connecting Rod .	170
44	1	1619P03762	Spring Pin ISO 13337	21

POS No.	Qty	Part No.	Description	List Price (Rs.)
46	2	1619P03827	Socket head cap scre	19
47	1	1609B03510	Base .	2888
48	2	1619P03828	Plain Washer DIN 12	50
49	2	1619P03829	Spring Washer DIN 1	19
52	1	1609B00645	Screw .	25
53	1	1609B00662	Washer .	25
55	1	1609B03508	Safety Guard .	1036
56	1	1619P03830	Hexagon Bolt DIN 93	21
57	1	1619P03831	Hex Nut DIN 934-M8	21
58	4	1619P03835	Thread-forming tap. S	21
59	1	1619P03744	Handle .	354
62	2	1619P03832	Screw ECO-SYN St3	21
63	1	1609B03544	Air-Deflector Ring .	89
64	2	1619P03823	Pickup Clip .	46
67	4	1619P03833	Screw ECO-SYN St 3	21
68	2	1619P03834	Screw ECO-SYN St3	21
69	1	1619P03840	Screw ISO 4762-M6x	21
71	1	1619P03841	Spring Washer DIN 1	21
73	1	1609B03542	Pivot Shaft .	170
74	1	1609B03546	Torsion Spring .	227
75	1	1619P03864	Compression Spring	26
77	1	1619P03806	Gear Cover .	138
78	1	1619P03815	Plain Washer .	46
84	1	1609B03531	Protective Guard .	121
86	3	1619P03824	Raised ctsunk head t.	21
87	3	1619P03821	Screw M5x25-4.8 .	21
88	3	1619P03819	Nut ISO 4035-M5-04	21
89	1	1619P03855	Insulating Tube .	21
91	1	1609B03519	Adjusting Wrench .	201
94	1	1609B03512	Shoulder Screw .	25

\* Refer Accessories Price List

w.e.f 01.04.2015